

SPECIFICATIONS:

POWER RATING: 2 WATT CONTINUOUS

FREQUENCY RANGE & VSWR:

DC TO 1GHz AT 1.10:1 MAX.

1GHz TO 4GHz AT 1.25:1 MAX.

AMBIENT TEMPERATURE RANGE: -40°C TO +40°C

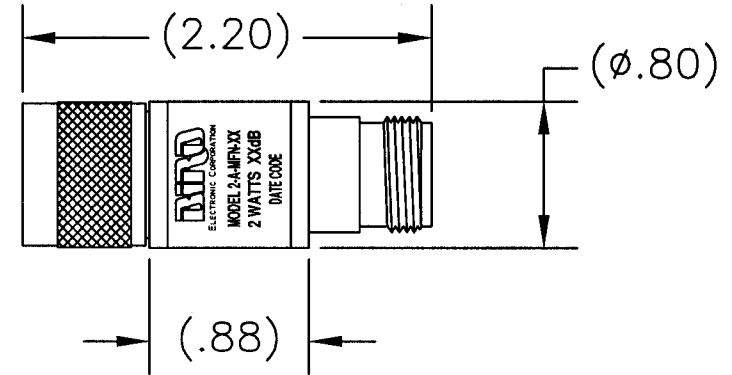
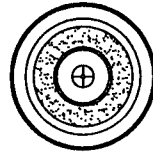
CONNECTOR: N-TYPE MALE AND FEMALE

FINISH: TRI-ALLOY PLATED

OPERATING POSITION: ANY

COOLANT: DRY (CONVECTION COOLED)

REVISIONS			DWG. NO.	2-A-MFN-XX	SHEET	REV
			1	A		
ZONE	REV	DESCRIPTION	DATE	APPROVED		
	A	CONVERT TO BEC FORMAT	DMR 11-27-02	<i>MAR</i>		



XX = DASH NUMBER (dB VALUE)

-30	30	±0.8 dB	±1.3 dB
-20	20	±0.5 dB	±1.0 dB
-10	10	±0.4 dB	±0.8 dB
-06	6	±0.4 dB	±0.6 dB
-03	3	±0.3 dB	±0.5 dB
-02	2	±0.3 dB	±0.5 dB
-01	1	±0.3 dB	±0.5 dB
DASH NO.	dB ATTEN.	DC - 1GHz ATTENUATOR	1 - 4GHz ACCURACY ±dB

DIMENSIONS HEREON ARE FOR CUSTOMER CONVENIENCE AND REFERENCE ONLY. TOLERANCE TO BE APPLIED ONLY WHERE INDIVIDUALLY STATED ON THE RESPECTIVE DIMENSION. -DO NOT SCALE DRAWING-

UNLESS OTHERWISE SPECIFIED DIMENSIONS ARE IN INCHES TOLERANCES ARE:
 FRACTIONS DECIMALS ANGLES
 ± 1/64 .XX = ±.010 ± 30'
 .XXX = ±.005

MILLIMETERS
 .X = ±.4
 .XX = ±.12

DO NOT SCALE DRAWING

THIS DRAWING IS THE PROPERTY OF THE BIRD ELECTRONIC CORPORATION. THE DESIGNS AND SPECIFICATIONS DISCLOSED HEREON ARE PROPRIETARY AND SHALL NOT BE REPRODUCED, NOR COPIED, NOR USED AS THE BASIS FOR THE MANUFACTURE OR SALE OF APPARATUS OR DEVICES WITHOUT THEIR EXPRESS WRITTEN CONSENT.



MATERIAL	APPROVALS	DATE	TITLE			
	DRAWN D.M.RINK	11-27-02	ATTENUATOR, N-TYPE MALE/FEMALE, 2W			
FINISH	CHECKED		SIZE	FSCM NO.	DWG. NO.	REV
	APPROVED <i>MAR</i>	1-13-03	A	70998	2-A-MFN-XX	A
		AUTOCAD	SCALE 1:1	COMM CODE AT1	SHEET 1 OF 1	